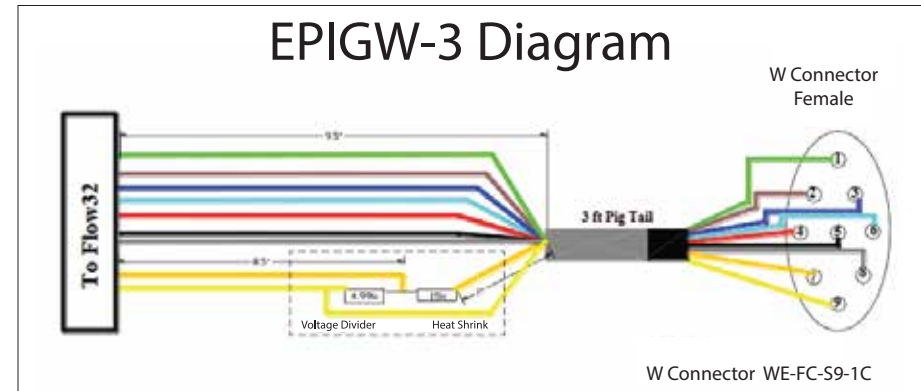
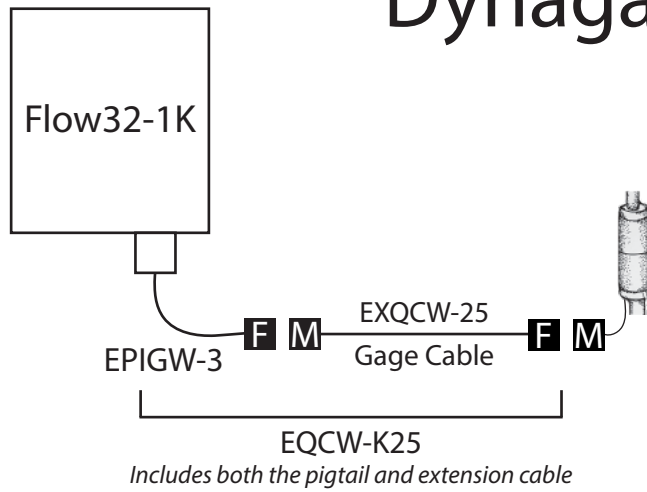
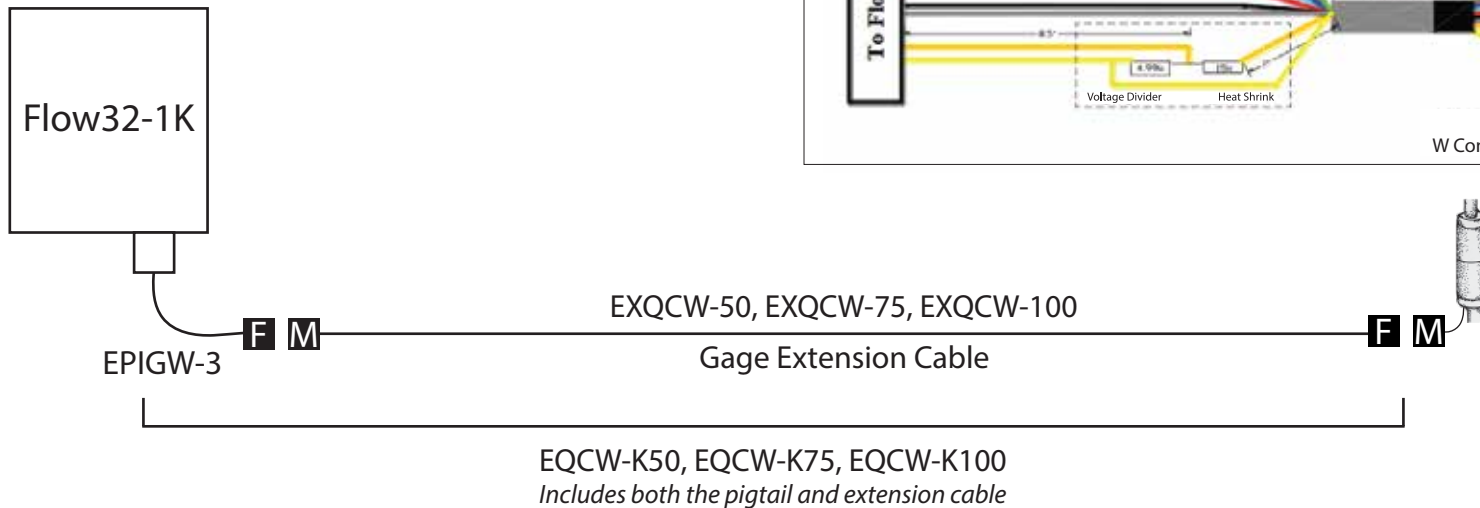


# Flow32-1K Cable Diagrams for Sap Flow Sensors Dynagage or SGEX

Standard  
Cables  
Included  
x8



Extension  
Cable  
Options



Cable  
Options for  
Trunk Gages  
over 50 ft.  
SGA100 & SGA150  
ONLY

