



TRUMET PW100

High accuracy, low maintenance solid-state optical rain gauge.

PRODUCT OVERVIEW

Gill's TruMet PW100 is an ultra-reliable, low-maintenance alternative to traditional tipping bucket rain gauges. It delivers accurate rainfall data as a standalone unit or when combined with our MetConnect or MaxiMet weather station ranges, including the fully integrated MaxiMet GMX603.

With no moving parts, TruMet PW100 is a plug-and-play solution designed to replicate the output of a conventional tipping bucket, without the burden of maintenance or recalibration.

KEY FEATURES & BENEFITS

- 01** High quality, accurate, solid-state liquid precipitation sensor.
- 02** Minimal maintenance requirement.
- 03** Extensively tested and designed to deliver accuracy with high correlation to tipping bucket measurement.
- 04** High quality measurement data due to unique sensor technology and extensive design testing and verification.
- 05** Less susceptible to debris blockage and requiring less maintenance than a tipping bucket.
- 06** Minimal set-up required and easily integrates with existing systems.

TYPICAL APPLICATIONS

- Hydrometeorology
- Flood monitoring
- Environmental monitoring
- Agriculture
- Water management
- Infrastructure projects

TruMet PW100 measures liquid precipitation using high accuracy optic technology.



TRUMET PW100

High accuracy, low maintenance, solid-state optical rain gauge.

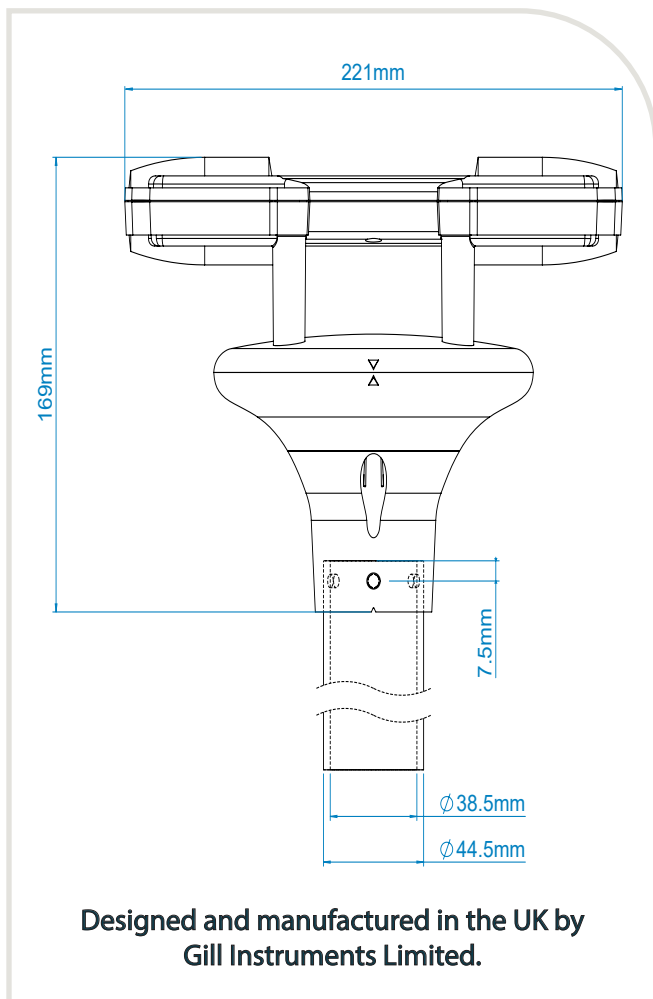
TECHNICAL SPECIFICATION

Precipitation

Measurement type	Optical
Accuracy	≤ 5%
Tip size	0.1 mm
Measurement surface area	66 X 20 mm
Intensity range	0 to 200 mm/hr
Precipitation types	Liquid precipitation

Warranty

Warranty	24 months
----------	-----------



Outputs

Pulse	Tip 0.1mm
-------	-----------

Power Supply

Input voltage	5-30VDC
Average current consumption @ 12VDC	Typically ≤ 24mA

Mechanical

Construction	UV stabilised thermoplastic
Fittings	Fit to 44.45mm (1.75in) pole or mast
Weight	0.67 kg
Connector type	8-way M12 connector

Environmental

Protection Class	IP66
Operating temp.	-35°C to +70°C
Measurement temp.	0°C to +70°C*
Storage temp.	-40°C to +70°C

*Unit only accurately measures liquid precipitation

Compatible with other Gill products

MetConnect
MaxiMet GMX550
MaxiMet GMX551

Standard Equipment (supplied with product)

Optical precipitation sensor
Mating connector
User manual* <small>*downloadable from gillinstruments.com</small>



Dynamax

dynamax.com • (281) 564-5100

MORE INFO

For more information about Gill's optical rain gauges or weather stations, please email admin@dynamax.com

5150-001 Issue 1

© 2026 Gill Instruments